

**PART NUMBER:** EMS150040-P5P-SZ

**DESCRIPTION:** switching power supply

**Features**

- Energy Star and California Energy Commission Regulations compliant
- RoHS Compliant
- Interchangeable input plugs
- 100-240 V ac input
- Regulated output voltage
- Over-voltage protected
- Short-circuit protected
- UL/cUL certified and FCC class B compliant


**INPUT**

rated input voltage	100 V ~ 240 V ac
input voltage range	90 V ~ 264 V ac
rated frequency	50~60 Hz
frequency range	47~63 Hz
rated input current	300 mA RMS max.
inrush current	15 A max. at 115 / 30 A max. at 230 V ac cool start
no load power consumption	0.3 W max. (CEC Compliant)

**OUTPUT**

output voltage	15 V dc at 0.4 A
output min. current	0 A
line regulation	± 1%
load regulation	± 5%
over voltage protection	23 V dc max. (output shut down)
short circuit protection	output shut down and auto restart
ripple voltage	150 mV (p-p) (100~240 V ac at full load)
efficiency	meets Energy Star / CEC Level IV

**SAFETY & EMI**

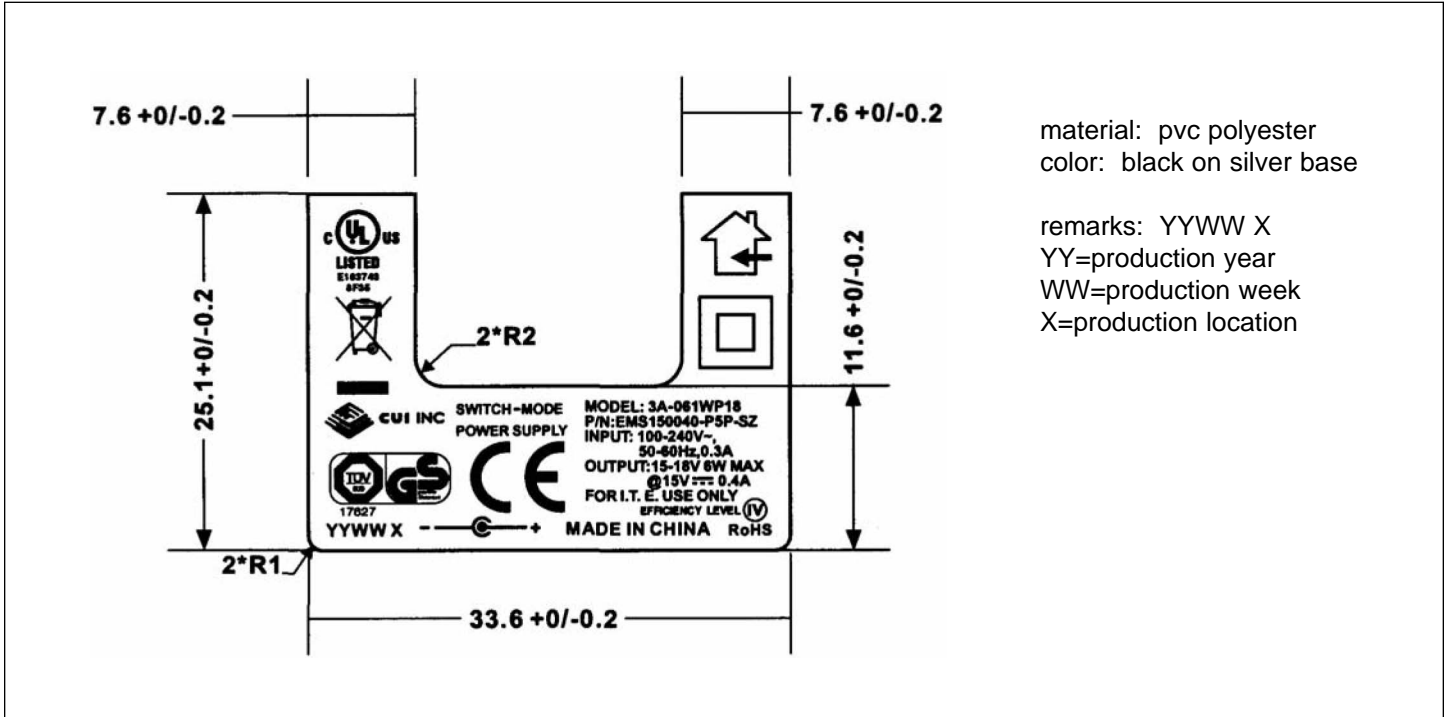
HI-POT	input to output	3000 V ac or 4242 V dc at 10 mA for 1 min.
insulation resistance	input to output	> 100 M Ohm at 500 V dc
safety approvals	UL/cUL, CE, GS	
EMI standard	FCC class B, EN55022	
RoHS compliant	yes	
leakage current	0.25 mA	

**ENVIRONMENTAL**

storage temperature	-10°C ~ +70° C
operating temperature	0°C ~ +40° C
storage humidity	10~90%
operating humidity	20~80%

**PART NUMBER:** EMS150040-P5P-SZ

**DESCRIPTION:** switching power supply

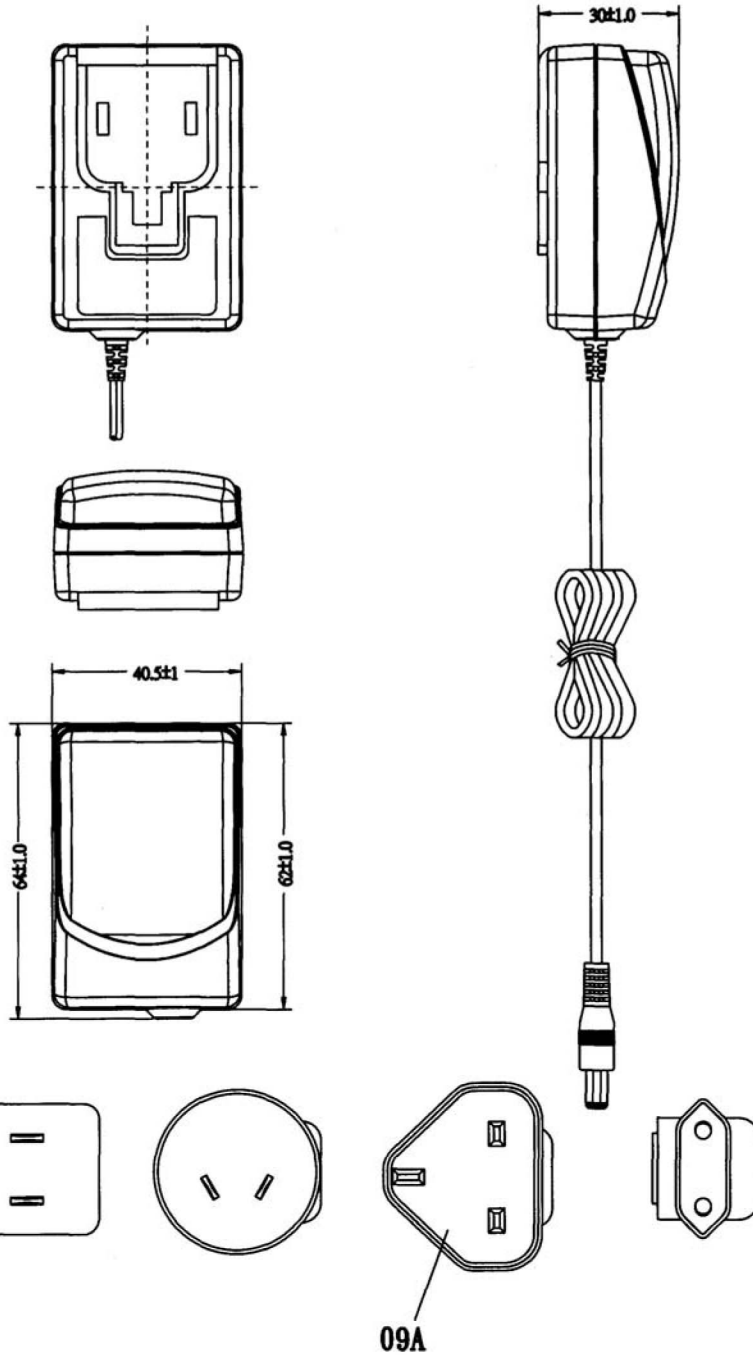
**LABEL**


**PART NUMBER:** EMS150040-P5P-SZ

**DESCRIPTION:** switching power supply

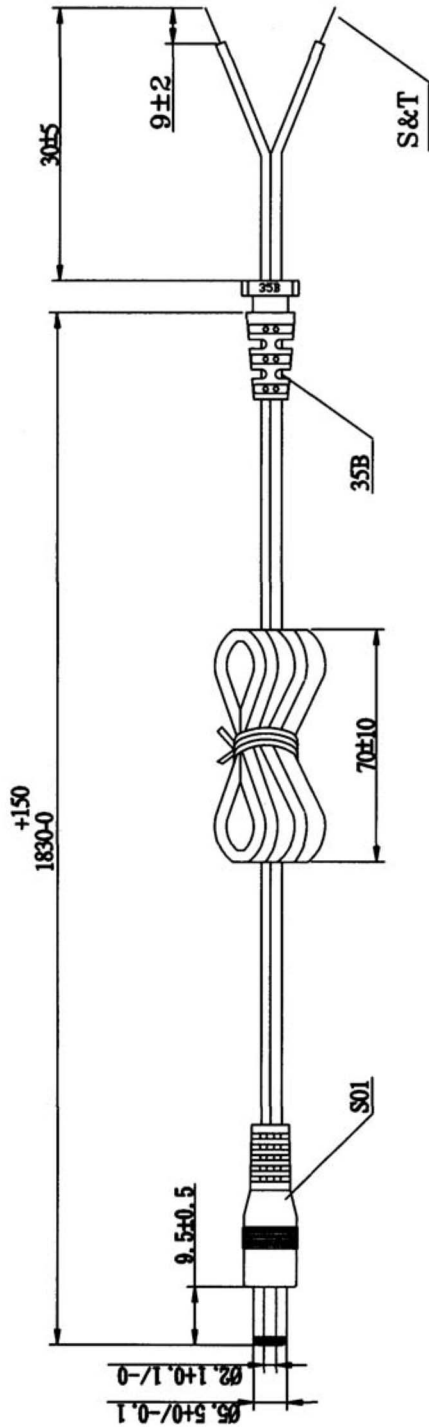
**MECHANICAL DRAWING**

input plug	Interchangeable PIN (UL, UK, VDE, SAA)
case size	64 L x 40.5 W x 30 H mm Tolerance: $\pm 1$



**PART NUMBER:** EMS150040-P5P-SZ

**DESCRIPTION:** switching power supply

**DC CORD**


#22AWGX2C UL2468 HAVE ON WORD WIRE IN OUTER, NO WORD WIRE IN INNER

OD: Ø1.7\*3.4

— — — — — +

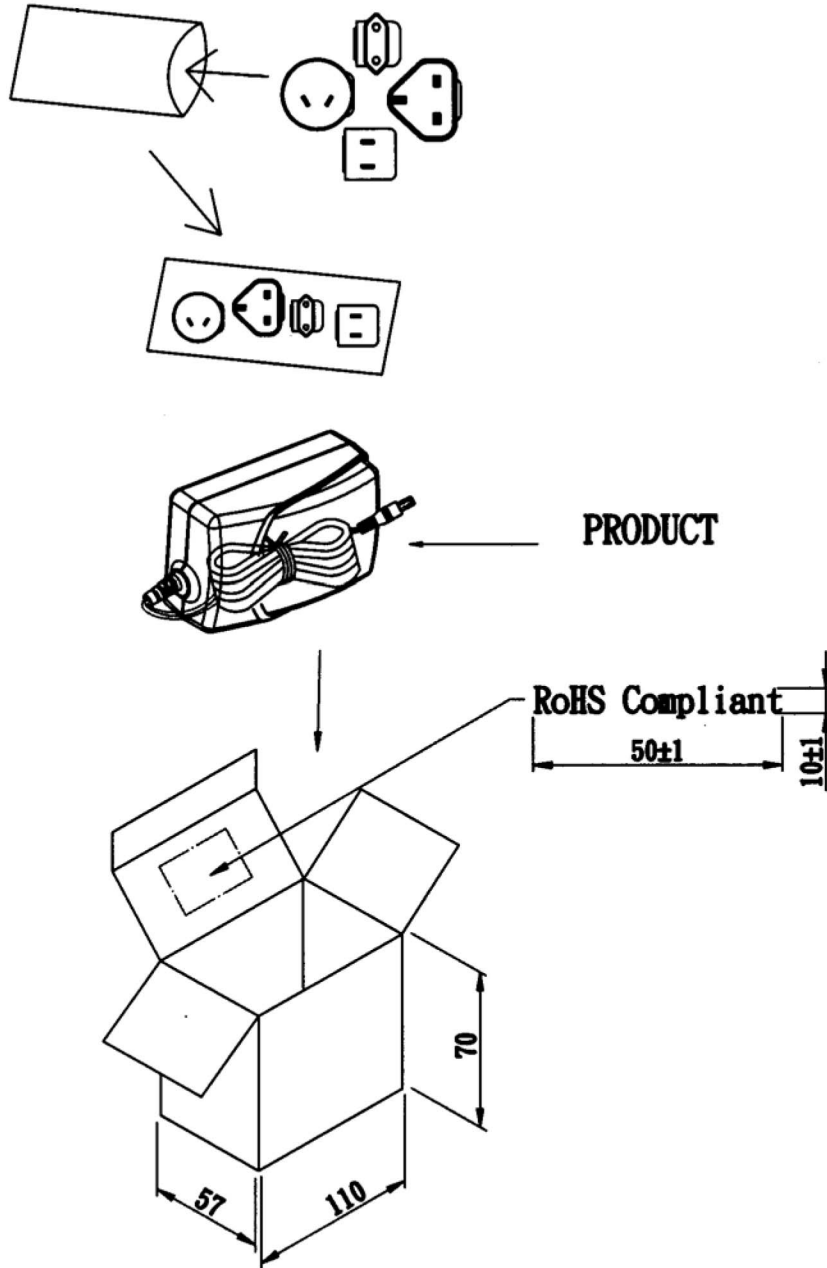
Parameter request	a. ±50° b. WEIGHT 200g c. 40 ROUND/MINUTE d. OVER 1000 COUNT MIN
VIBRATION TEST	

**PART NUMBER:** EMS150040-P5P-SZ

**DESCRIPTION:** switching power supply

**INDIVIDUAL PACKAGING**

tolerance:  $\pm 1$



**PART NUMBER:** EMS150040-P5P-SZ**DESCRIPTION:** switching power supply**PACKAGING**

tolerance: +7/-0

**CARTON INTERNAL SIZE: 450\*308\*300mm**  
**QTY: 80PCS(20\*4)**  
**"RoHS Compliant"**